

The Messenger

Payson Park Church

United Church of Christ - Congregational

365 Belmont Street, Belmont, MA 02478

617-484-1542 fax 617-484-1526

office@paysonpark.org www.paysonpark.org



September 2008

Our Mission Statement

*"We believe God is calling us to walk in the ways of Jesus Christ
and to bear witness to the Gospel through worship and service, empowered by the Holy Spirit."*

Do you remember the first day of school? Whether you think back to kindergarten or high school or any year in between, I'm sure that day was filled with excitement and surprises. From finding your classroom, to meeting a new teacher and friends, the first day of school is a BIG one.

The arrival of September may still fill us with anticipation, even though as adults the delights and demands of school seem far away. In church life September may mark the time some people know they'll begin attending worship more regularly. For others, it may inspire a recommitment to the monthly meetings of committees, education, or fellowship groups. From choir rehearsals to church school classes, from coffee hours to special all church forums, the month of September ushers in a new season, one filled with opportunities to grow.

At Payson Park these opportunities will be increased by The Reverend Rob Asinger's transition to a new church this fall. As announced at the Council and Congregational meetings in August, Rob accepted the call as Interim Minister at Union Congregational Church of Waban beginning September 1. While he will no longer be with us in worship, Rob will remain involved in our administrative and planning processes through the fall, the specifics of which will be addressed in a forthcoming letter from our moderators. Rob's presence and leadership will be missed immensely, and we can look forward to having the opportunity to give thanks for his eight great years of service at a celebration following our Annual Meeting in January.

It's recognizing this and the many other opportunities September brings that I say "welcome back" to those who've been away these weeks of summer as well as to those who've filled the pews. "Welcome back" to life in a community filled with joy, where we work together for the good of all. "Welcome back" to a season filled with anticipation and even, perhaps, some anxiety, as like little children we know that a new year means stepping beyond the familiar so we can grow. May we trust love to lead us, sensing God is here, beckoning us to new and abundant life.

The Reverend Lael Atkinson

F R O M T H E



PASTOR

Inside This Issue

Worship Schedule 2

Education Opportuni- 3

Administrative News 4

Mission and Outreach 5

Sharing and Caring 6

Music Ministries 7

Youth Programs 8 & 9

Kidspage 10

Calendar 11

September Worship Schedule

Sunday, September 7, 2008 **10:30 a.m.**

The Reverend Lael Atkinson preaching

Sermon "Surprise!"

Scripture Galatians 3: 1-9; John 21: 4-14

Anthems "Gently, Lord" from *The American Vocalist*
"With a Voice of Singing" Martin Shaw

Our Fellowship Hour will be hosted by the Nursery School Committee. Altar flowers are given by Louise Lewis and Family in loving memory of Frank Lewis.

Sunday, September 14, 2008 **10:30 a.m.**

Bob Brown, Candidate for Ordination preaching

Sermon "A Perfect Storm?"

Scripture Matthew 14:22-33

Anthems "Precious Lord, Take My Hand"
Dorsey/Schrader

Solo "I'll Walk With God" Nicholas Brodzsky
Kaori Emery, soloist

Our Fellowship Hour will be hosted by the Music Committee. Altar flowers are given by Sally Markham in loving memory of her mother, Bunny Aldrich and Dennis Sullivan and Family in loving memory of Dennis C. and Sally M. Sullivan.

Sunday, September 21, 2008 **10:30 a.m.**

Homecoming Sunday

The Reverend Lael Atkinson preaching

Theme "Homecoming Celebrations"

Scripture Exodus 16: 2-15; Matthew 20: 20-28

Anthems "Holy Manna" from *Sacred Harp*
"To Serve" John Horman
with Susan Harper, flute

Our Fellowship Hour will be hosted by the Kevin Cassidy. Altar flowers are given by Dennis Sullivan in memory of John F. Sullivan.

Sunday, September 28, 2008 **10:30 a.m.**

The Reverend Lael Atkinson preaching

Sermon "Following Through"

Scripture Exodus 17: 1-7; Matthew 21:23-32

Anthem "My God Is a Rock"
Spiritual, arr. Alice Parker and Robert Shaw

Our Fellowship Hour will be hosted by the Finance and Property Committee. Altar flowers are given by Joan Blackman in loving memory of Jack Blackman.

Celebrating Our Consolidated Church: We Are Alive!

Mark your calendars for Sunday, October 5, at 3:00 p.m. as we join with members and friends to celebrate the new life of our church. Marking the first anniversary of the consolidation, The Reverend Jim Antal, Minister and President of the Massachusetts Conference of the United Church of Christ, will be present to commission us. The Reverend Wendy Vander Hardt, Area Minister of the Metropolitan Boston Association, as well as members of the Belmont Interfaith Religious Council, will also be participating in the service and festivities to follow. This is a time to renew our covenant to God, the church, our denomination, and with one another. We are alive in God's Spirit of love and service! Alleluia! Childcare for ages five and up will be in the gymnasium with Mr. S. from 2:30 on. Nursery care for toddlers will be held in the upstairs nursery.



Summer Worship Attendance

Thanks to so many members, friends, deacons and ushers, we had a great summer of worship!

June 29 - 73	August 3 - 90
July 6 - @ Waverly	August 10 - 41
July 13 - 70	August 17 - 101
July 20 - 67	August 24 - 59
July 27 - 47	August 31 @ Plymouth

Education and Fellowship Opportunities

Caregivers Unite:

**A Time of Support and Sharing
Thursday, September 18, 6:00 p.m.**

One of the great opportunities offered in Christian community is to gather together for support and prayer. This group for caregivers provides a time of confidential sharing for those tending to the physical, financial, and emotional needs of loved ones near or far away. If such a support group would be valuable to you, mark your calendars for Thursday, September 18 at 6:00 pm. and join Lael Atkinson and others in the Pastor's Study for an hour of sharing and prayer. Caregivers unite: a YOU night for caregivers!



Body & Soul

A Time of Caring Contemplation

Mark your calendars for a new fellowship and educational opportunity! Beginning next month, on Monday, October 20, interested individuals can gather for a time of meditation and sharing as the group "Body & Soul" will meet for the first time at 7:00 pm. This gathering will help us to consider how we care for our bodies and minds as people of faith. Sessions will include a discussion about recent scientific findings related to health and well-being, with extended times of meditation at the start and close of each gathering. Please speak with Lael if you have questions or suggestions about this new group. Its conception was seeded by interest expressed in last year's discussions at The Good Afternoons.

The Good Afternoons:

Tuesday, September 23, 2:00 - 3:30 p.m.

Do you strive to be healthy? Do you appreciate that taking care of your body and mind is a way of caring for God's miraculous creation? This is a fellowship and discussion group that continues to give thanks for the gift of life by sharing tips about caring for the mind, body, and spirit. If you have the afternoon free, please join us! All ages are welcome as we give thanks for the gift of life in this unique and human way.

Caring for Creation:

**A Group to Encourage
Environmental Awareness and Action**

Are you interested in learning more about the environment and how you can be more responsible? Would you like to help make this church and your home more ecologically sound? A new group will form in October to reflect upon the issues of our environment and how we passively and/or actively contribute to global warming. If you are curious about this new opportunity for education, fellowship, and social action, please speak with Isabel Best or Lael.

FYI: A Movie Review

from the Christian Education Committee

The Notebook. Rated- PG 13 This adaptation of author Nicholas Sparks' bestselling novel revolves around Noah Calhoun's (James Garner) regular visits to a female patron (Gena Rowlands) of an area nursing home. Rather than bore her with the inanities of everyday life, Calhoun reads from an old, faded notebook containing the sweeping account of a young couple (Ryan Gosling and Rachel McAdams) whose love affair was tragically put to a halt after their separation in the midst of World War II.

Administrative News

Contributing to the Church... in Treasure and Talent!

Beginning a new program year together, the Treasurer and members of the Finance & Property Committee want you to know that your contributions to the church are needed and valued! If fulfilling your pledge through the summer months was deterred because you were away, please consider “catching up” soon. Our financial planning for the final months of the year depends upon our faithful contributions.

The church is also now looking for help with counting our weekly offerings. After many years of laying fallow, the “Teller Committee” will form once again to assure all contributions are deposited in a timely way. If you would like to give an hour of your time after worship on periodic Sundays to help count the collection, please speak with Rick Marsh or Jeff Cronin. *We need you!*

Nominating Committee Requests

The Nominating Committee is currently seeking volunteers to help on the Mission & Outreach and Nursery Committees. This work not only helps build community at Payson Park, but also aids us in reaching out to the wider community. Please contact Carl Miller if you are interested in offering your time and talents in this way!

Highlights from Church Council

Are you curious about what is discussed at Church Council? Would you like to attend a session? Church Council meetings are open to all members and friends of the church, and minutes are available in the Church Office. We hope you will let us know if you have any questions.

Faithfully from your Church Moderators,
Al Gledhill & Jeff Cronin

Bylaws Committee



Special Forums: Sundays, September 14 & 28

Through the weeks of summer, the Bylaws Committee met to begin the initial review and update of the governing documents of our consolidated church. With the new program year beginning, the committee wants *you* to be a part of this process, too. In order to help facilitate community involvement, special forums will be held after worship on Sundays regularly through the fall and winter months. The first of these forums are scheduled for Sundays, September 14 and 28. Please join us for this important time of discussion. If you are not available, feel free to call committee chairs Fred Isaacs or Bob Phillips for information and updates.



Payson Park Nursery School

Are you looking for a nursery school program for your child? Do you have neighbors or friends who are making plans for their young children for the fall? The Payson Park Church Nursery School is currently accepting applications for enrollment in September. Scheduling is flexible, and discounts are available for church members. Please call Janet Coleman, Nursery School Director, for more information (617/489-4824) or email at nurserydirector@paysonpark.org.

Mission and Outreach News



Wanted: Gently Used and Loved Children's Books

As adults are getting ready for back to school activities and another school year, it seems the perfect time to identify some gently used children's books that could go to a new home to entertain and inspire other children this summer. The Mission and Outreach committee will be collecting gently used children's books to be donated to Cradles to Crayons, a non-profit organization serving the Boston area that provides, free of charge, low-income and homeless children from birth to pre-teen the basic essentials they need to be safe, warm, ready to learn, and valued. There will be a box in the narthex to collect the books each Sunday. Please see Liz Stanziola or Kate Tigelaar with any questions.

New Members Welcomed!

Are you looking for a new church home at this time in your life? Are you curious about what it means to be a member of Payson Park Church? New members will be received on Homecoming Sunday, September 21, and we invite YOU to investigate what it means to be a formal part of this loving Christian community. If you have questions about the meaning of membership or know you would like to join, please speak with Lael Atkinson. A New Members class will be held on Monday, September, 15 at 7:00 p.m.

Bristol Lodge Food Kitchen

Date: Monday, September 29, 3-5 p.m.

Menu: Chicken cornbread casserole, green beans, tossed salad, rolls

Date: Friday, October 31, 3-5 p.m.

Menu: Meatloaf, mashed potatoes, tossed salad, rolls,

Date: Sunday, November 30, 3-5 p.m.

Menu: Costco Lasagna, tossed salad, rolls
(cash donations needed)

Date: Monday, December 29, 3-5 p.m.

Menu: Chili, tossed salad, rolls

The Bristol Lodge Food Kitchen serves a hot meal every day to about 75-85 men and women at a church in Waltham. A few of these people are homeless but most of them are just seeking ways to survive on their meager incomes. All of the guests are very grateful for the nourishing food and the hour of fellowship. We cook a meal once a month, usually consisting of a one-dish casserole, a tossed salad or vegetable and dinner rolls. We also provide beverages (no desserts). Menus are posted on the Mission and Outreach bulletin board outside the church office. Each person buys the ingredients to serve 12 people, prepares the meal at home, and either delivers it to the Waltham church or has another person deliver it. You can prepare the entire menu for 12 or just part of the menu. Expenses for the entire dinner range from \$25-35. You are welcome to stay to serve the meal. You may also donate cash toward the beverage expenses.

Please see the bulletin board for recipes and in order to sign up to cook—for one month or for more. This is an easy, congenial and rewarding way to assist our neighbors in need. Please consider volunteering for this outreach opportunity.

Sharing and Caring



Thanks to Lorraine Clifford and Kay Hudgins of the Diaconate, we now have a new church photo directory to help us get to know each other well! Copies are distributed at fellowship hour each Sunday. If you have not yet received your book, and cannot attend services in September, please call the Church Office and a directory will be sent to you.

In Loving Support

We continue to offer our prayerful support to Joan Blackman's grandson, Sergeant Michael Ricci. Michael was awarded the Navy and Marine Corps Achievement Medal for exemplary professional service and is currently on his second tour of duty in Iraq. Please send him and his colleagues a note or care package soon.

His new address is:

Sgt. Ricci, Michael R.

9th, COMM BN Det 3 (Ramadi)

Unit 42573

In Every Challenge is an Opportunity: A Personal Request

I recently lost my job. As a person who thrives on social connection, one of the huge losses for me is the feeling of belonging and connection that come with my job. The opportunity for me is to deepen my relationships with the people of Payson Park Church. I am asking to be your guest for lunch or dinner in these coming days and weeks. I look forward to getting to know people better as I walk through this time of transition. I can be reached at (857) 939-8265.

With gratitude,
Lorrie Herzberg

Welcome John Brock, Ministerial Intern

As a new program year begins, we're pleased to continue our work in helping prepare individuals for ministry through our Ministerial Intern program. This year the Diaconate and Church Council encourage you to welcome John Brock, resident of Newton, Massachusetts. After years of working in the high tech field, John's faith and desire to serve led him to pursue studies at Andover Newton Theological School. A member of Hope church (UCC) in Roslindale, John completed a year of field education at City Mission Society in June. This year he will explore his call to serve as a pastor by leading worship, teaching adult education classes, and helping with service projects and God's Garden programs. Welcome, John!



IN LOVING MEMORY

Helen Swedberg Hildebrand

April 26, 1909 - July 6, 2008

On Sunday, August 17, the faithful life of Helen Hildebrand was celebrated at a memorial service at the church after the family gathered for the committal at Belmont Cemetery. As we prayerfully give thanks for Helen's life on earth and in God's eternal realm, we remember the words of Henry Ward Beecher, a sentiment Helen held dear and sought to live by: *Do not keep the alabaster boxes of your love and tenderness sealed up until your friends are dead. Fill their lives with sweetness, speak approving, cheering words while their hearts can be thrilled by them.*

Music

Serve God, Have Fun, And Be Healthier - All At The Same Time... Try The Chancel Choir This Fall!



**The Pick-up Choir
Welcomes YOU!**

Does singing regularly in a chorus make you healthier? Yes, says Dr. Gene Cohen, the director of the Center on Aging, Health and Humanities at George Washington University. Dr. Cohen recently published results of a federally-funded study on 300 people in three cities. In each city, half of the people participated in an arts program at least once a week, and the other half (the control group) did not. After one year, the singers reported better health than at the outset of the study, while the health of the control group was worse, said Cohen. The singers “of a certain age” also experienced fewer falls and greater improvement in measures of depression, loneliness, and morale. “If a person is regularly involved in an arts program, especially with other people,” said Cohen, “that is doing very good things for health.”

That’s yet another reason to give the Chancel Choir a try this fall. The Chancel Choir is a group that meets almost every week from September through May to prepare wonderful music for the worship of God. We rehearse at 7:30 p.m. on Thursdays and 9:30 a.m. on Sunday mornings, and work pretty hard while having lots of fun. We are a warm and welcoming group, open to people of all levels of musical skill. Our wonderful section leaders help our amateur singers prepare and learn the weekly anthems.

We realize that many people have busy lives and many commitments. Therefore, it’s possible to sing with the Chancel Choir on a part-time basis. Some of our singers already do so.

Interested in finding out more? I’d love to hear from you! Please give me a call (617-491-0766), drop me an e-mail (musicminister@paysonpark.org), or speak with me on a Sunday morning.

Many blessings!
Terry Halco

There are many reasons to join the Pick-up choir, but one of the reasons I hear the most often is that it is such a welcoming group to be a part of. You don’t have to be a trained musician, prior experience singing is not necessary, a beautiful voice is helpful but not required. The important thing to remember is that singing in church isn’t about perfection, it’s about returning to God what God has given us. Here is what some of our singers have said about our group:

- “When I sing with the Pick-up choir, it is because I want to support my church. I know I am not as confident with some of the music as most of the group, but it always feels good to join in and be a part of the Pick-up choir. Everyone is very willing to help!”
- “I would encourage anyone who wants to sing to participate!”
- I’d like to offer that anyone can sing. We take violin lessons before playing in a concert, piano lessons before accompanying, but no one needs a voice degree to know how to use the only instrument God built into our bodies. What a gift! What’s to stop us from using it?”

Our next opportunity to sing in worship will be Sunday, September 14. Rehearsal is at 9:00 a.m. in the sanctuary. Music is always available the week prior on the table in the narthex for those who would like to preview what we’ll be singing. So why not come and give your gift!

Cathy Meyer,
Music Director

Youth Programs



C HILDREN'S



MUSIC



MINISTRIES

*growing in faith,
through music*

We are looking forward to welcoming God's Garden and the Children's Music Ministries participants to our fall programs! We are very excited about our upcoming year and the opportunity we have to share God's love with our faith family. On September 7 and 14 we will offer a One-Room Schoolhouse with nursery care available at the 10:30 a.m. service. Starting September 21, we will continue with our traditional Church School Program using the Workshop Rotation Model for grades K through 8. For our Pre-school and Senior High Class, we offer the "Seasons of the Spirit" curriculum staffed by trained and certified teachers. Weekly children's choir rehearsals will start Tuesday, September 30.

In order to participate in these exciting programs, registration forms need to be submitted as soon as possible. We have consolidated our God's Garden and Children's Music Ministries registration forms to serve you better. If you would like to register your child(ren) and have not received a registration packet in the mail, please contact Cindy Lou Benson or Cathy Meyer as soon as possible, either on a Sunday morning, by calling the church office, or emailing cedirector@paysonpark.org or musicdirector@paysonpark.org.

The Children's Music Ministries Fall Schedule is Here!

Weekly rehearsals begin Tuesday, September 30th. We hope you'll join us! For more information or to register, please contact Cathy Meyer, Director of Music at musicdirector@paysonpark.org.

Cherub Choir (*infant - pre-K*) Tues. 10:15-10:45 a.m.

Alleluia Choir (*pre-K - gr. 2*) Tues. 4:15-5:15 p.m.

Junior Choir (*gr. 3 - gr. 4*) Tues. 3:30 - 4:30 PM

Youth Choir (*gr. 5 - gr. 8*) Wed. 3:30 - 4:30 PM

Senior High Choir (*gr. 9 - gr. 12*) Wed. 4:30—5:30 PM

The mission for our Children's Choir program is to provide musical training for children of all ages with a focus on God and spiritual development. We believe that through the participation in and the understanding of church music, children can see how music can be a vehicle for praise, worship, prayer, fellowship, and evangelism. Our goal is to nurture and educate each young person, so that they may have the opportunity to participate in a variety of Christian musical programs, develop their musicianship at their own pace, and celebrate their role in the supportive faith community that surrounds them.

Each children's choir sings in Sunday worship services approximately once each month during the rehearsal seasons: September through December and February through June. All the groups play active roles in presenting special dramatic productions throughout the year (presented in our church, in neighboring churches, and in local retirement homes), including our annual Christmas pageant and other musicals. Children of all musical and theatrical levels are encouraged to participate in all our of programs.

Youth Programs (con't)

Youth Group & Confirmation Class To Begin in September

As a new school year begins, the Christian Education Committee is excited to continue its programs for youth and teenagers.

The Youth Group will reconvene, meeting twice a month for times of fun and fellowship in addition to faith exploration and service.

Confirmation Class will also begin again, a new set of students ready to think about what it means to be a Christian in this modern day and age.

Preparing for these growing programs, and with Victoria Gaisford's departure from the area, the Christian Education Committee has received approval from the Church Council to recruit a new Youth Minister. This part-time position will help provide dynamic leadership for those we often refer to as "the future of the church." If you have questions about these programs or would like to enroll your children, please speak with Lorrie Herzberg, Chair Christian Education Committee, or Cindy Lou Benson, Director.

Thank You Elizabeth Smith and Welcome Jennie Reis, Church School Teacher

Elizabeth led our Church School Program throughout the summer months. She was assisted each Sunday by Jennie Reis, a fellow seminarian. Jennie is the Campus Minister at Emmanuel College and has a MA in Pastoral Ministry from Boston College. Jennie will be staying on and leading the Senior High Church School class this fall. We welcome Jennie! If you have any questions about our program, you may contact Cindy Lou Benson, the Christian Education Director: cedirector@paysonpark.org

God's Garden, Growing in Faith

For our elementary and middle school children, our Church School uses the Workshop Rotation Model. This model celebrates our children as it understands that children have a variety of talents, interests and abilities. The curriculum's Bible story lessons are presented in 4-6 week units with children rotating to different workshops each Sunday. Each workshop will involve children in different learning activities, which might include storytelling, drama and puppetry, cooking, arts and crafts, science, videos and more. All workshops give children hands-on participation that enhances their learning potential. Most importantly, a child's ability to understand and retain the stories of the Bible and their meaning are greatly increased. We have found as a teacher in God's Garden you have the wonderful opportunity to offer your energy, abilities and gifts in the ministry of children, to instruct the children in a creative, loving manner that will lead to spiritual growth. We offer up to 7 workshop choices which invite teachers to match their interests or talents to the passing of faith. Teachers are assigned to one workshop for the unit, teaching the same lesson for that unit to each of the three classes. We have more workshops than classes, you will teach only the three classes with some Sundays off during that particular unit, while the children rotate through the other workshops. As different grades rotate through the workshops, teachers make age appropriate adjustments to their lessons using suggestions from the curriculum, as well as changes based on their experiences from previous weeks and from the teacher training available. The theme for the coming year 2008-2009 is "Be Not Afraid" and can be found all throughout the bible. Our upcoming units are: The Miracles of Jesus, Angels, Psalm 118, The Fruits of the Spirit and Joshua. If you have questions or would like to volunteer, please speak with myself on Sunday or email me at cedirector@paysonpark.org.

Sincerely,
Cindy Lou

Kid's Page

What's happening this month...

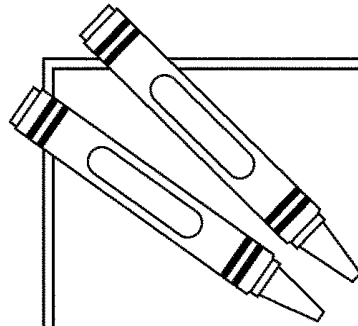
Fall Registration is in progress for Church School; *God's Garden, Growing in Faith...* And our *Children's Music Ministry Program*. All Are Welcome!

God's Garden, Growing in Faith. Sunday's, 7 and 14 we will be offering a **O n e R o o m** Schoolhouse with Jennie & Hilandia. Nursery Care is also available.

Homecoming Sunday, the 21st Our Church School Program will kick off with the first unit in the "Be Not Afraid" series. Thank you to all our volunteer teachers and staff!

Children's Choir Ministry Program rehearsals start Tuesday, Sept. 30 & Wed, Oct 1. Please come and sing to the Lord! All Are Welcome!

The answer to the puzzle is somewhere...
Can you find it?

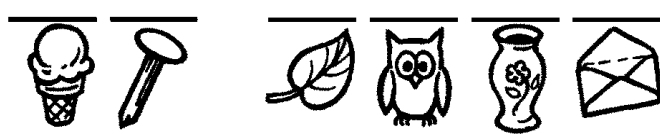
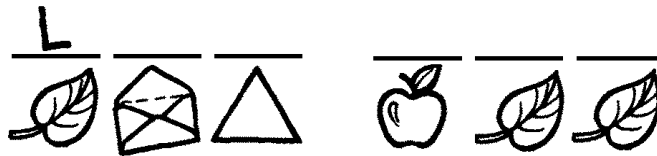
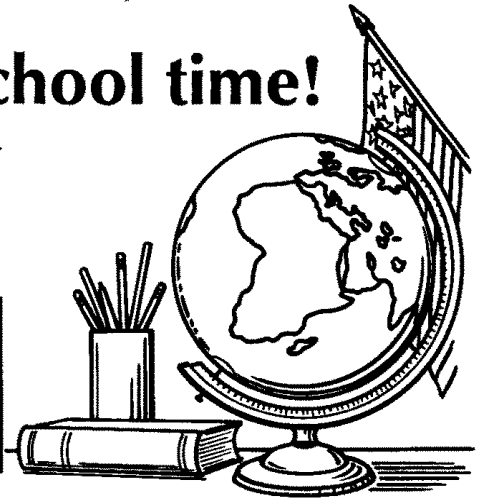


Just for KIDS

It's back to school time!

This is a time to make new friends and do new things! Below is a special Bible verse to help you every day!

To find this helpful verse, write the letter that begins the word for each picture on the line above it.



1 Corinthians 16:14

September 2008 Calendar

Monday, September 1

Labor Day: Office Closed

Tuesday, September 2

7:00 PM Bylaws Committee Meeting

Wednesday, September 3

7:00 PM Faith, Hope & Love Fellowship

Thursday, September 4

7:30 PM Chancel Choir Rehearsal

Friday, September 5

8:30 AM Payson Park Nursery School Orientation

Sunday, September 7

10:30 AM Worship & One Room Schoolhouse

11:30 AM Fellowship Hour

Monday, September 8

8:30 AM Payson Park Nursery School opens

7:00 PM Bylaws Committee Meeting

Tuesday, September 9

1:00 PM Staff Meeting

7:00 PM Church Council

7:30 PM Finance & Property Committee Meeting

Wednesday, September 10

7:00 PM Christian Education Committee Meeting

7:00 PM Faith, Hope & Love Fellowship

Thursday, September 11

7:30 PM Chancel Choir Rehearsal

Sunday, September 14

9:00 AM Pick-up Choir Rehearsal

10:30 AM Worship & One Room Schoolhouse

11:30 AM Fellowship Hour

11:30 AM Teacher Training Workshop

12:00 PM Bylaws Forum

Monday, September 15

7:00 PM New Members Class

7:00 PM Bylaws Committee Meeting

Tuesday, September 16

1:00 PM Staff Meeting

Wednesday, September 17

7:00 PM Faith, Hope & Love Fellowship

Thursday, September 18

6:00 PM Caregivers Unite

7:30 PM Chancel Choir Rehearsal

Sunday, September 21

Homecoming Sunday

9:30 AM Chancel Choir Rehearsal

10:30 AM Worship & Church School

11:30 AM Fellowship Hour

Monday, September 22

7:00 PM Bylaws Committee Meeting

Tuesday, September 23

1:00 PM Staff Meeting

2:00 PM The Good Afternoons

Wednesday, September 24

7:00 PM Faith, Hope & Love Fellowship

7:00 PM Diaconate Meeting

Thursday, September 25

7:30 PM Chancel Choir Rehearsal

Sunday, September 28

10:30 AM Worship & Church School

11:30 AM Fellowship Hour

12:00 PM Bylaws Forum

Monday, September 29

3:00 PM Bristol Lodge (off site)

7:00 PM Bylaws Committee Meeting

Tuesday, September 30

10:15 AM Cherub Choir Rehearsal

3:30 PM Junior Choir Rehearsal

4:15 PM Alleluia Choir Rehearsal

Wednesday, October 1

3:30 PM Youth Choir Rehearsal

4:30 PM Senior High Rehearsal

Do You Need to Reach the Pastors?

The Reverend Lael Atkinson can be reached through the Church Office or at home (617) 464-4990.

The Reverend Rob Asinger can be reached through the Church Office or at home (781) 891-5605.

THE MESSENGER

PAYSON PARK CHURCH

365 BELMONT STREET

BELMONT MA 02478-3438

Rev. Lael Atkinson, Rev. Rob Asinger, Pastors; Rev. Terence R. Willis, Pastor Emeritus; Cindy Lou Benson, Christian Education Director; Terry Halco, Minister of Music; Cathy Meyer, Music Director; Walter Guertin, Treasurer; Kevin Cassidy, Sexton; Sally Markham, Messenger Editor; Carol Martinos, Administrative Secretary; Janet Coleman, Nursery School Director

Mark your Calendars!

Final Summer Union Service in Belmont

Sunday, August 31, 9:30 a.m.

Plymouth Congregational Church

Homecoming

Sunday, September 21, 10:30 a.m.

Nursery Care and Church School in *God's Garden, Growing in Faith*

Celebratory Fellowship Hour to Follow

All Are Welcome!